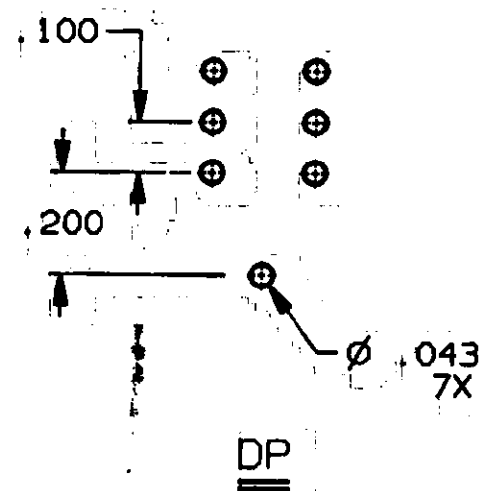
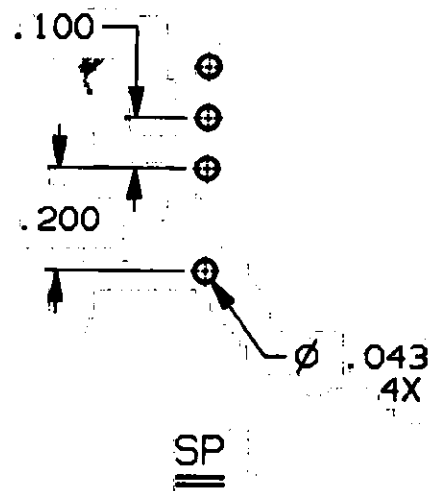
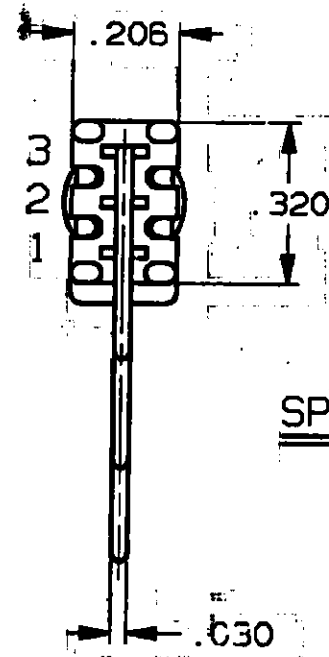
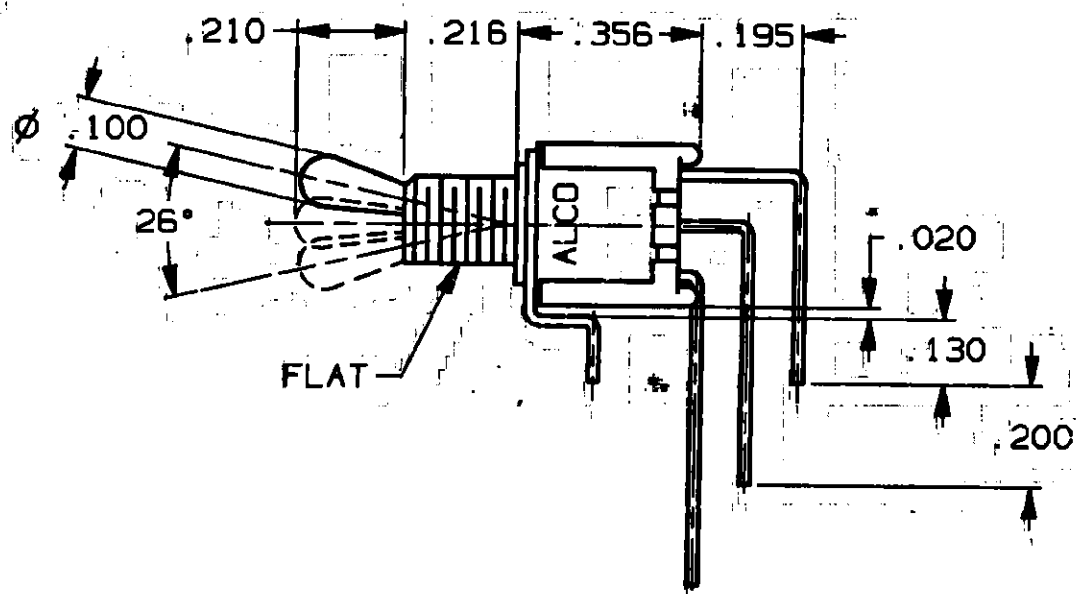
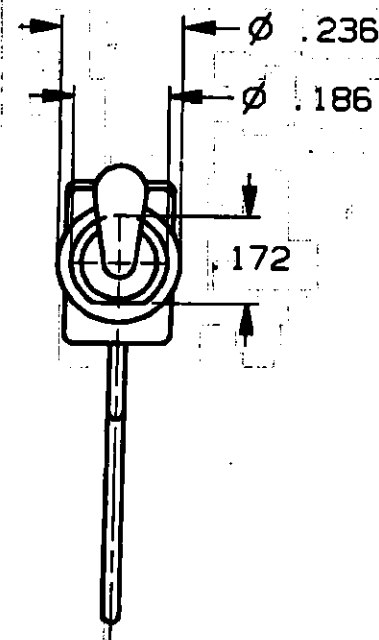


CONVERSION CHART	
INCH	MM
.002	0.05
.010	0.25
.015	0.38
.020	0.51
.030	0.76
.043	1.09
.100	2.54
.130	3.48
.150	3.81
.172	4.37
.186	4.72
.195	4.95
.200	5.08
.206	5.23
.210	5.33
.216	5.49
.236	5.99
.320	8.13
.356	9.04
.360	9.14



RECOMMENDED HOLE LAYOUT

TOLERANCE ± .002 UNLESS OTHERWISE NOTED

3 SPECIFICATIONS:

MATERIALS:
CASE: HIGH TEMPERATURE POLYESTER.
FRAME: STEEL, TIN PLATED.
ACTUATOR: COPPER ALLOY, NICKEL PLATED.
MOVABLE CONTACT: COPPER ALLOY, GOLD OVER NICKEL PLATE.
STATIONARY CONTACT: COPPER ALLOY, GOLD OVER NICKEL PLATE.
TERMINALS: COPPER ALLOY, TIN LEAD PLATED.
TERMINAL SEAL: EPOXY

ELECTRICAL:
CONTACT RATING: 0.4 VA @ 20 VDC OR PEAK AC
INITIAL CONTACT RESISTANCE: 20 MILLIOHMS MAX.
INSULATION RESISTANCE: 1,000 MEGOHMS AT 500 VDC MIN.
DIELECTRIC STRENGTH: 1,000 VOLTS RMS AT SEA LEVEL
LIFE EXPECTANCY: 80,000 CYCLES (2 POSITION)
60,000 CYCLES (3 POSITION)

ENVIRONMENTAL:
OPERATING TEMPERATURE: -22°F TO +185°F (-30°C TO +85°C)
STORAGE TEMPERATURE: -67°F TO +185°F (-55°C TO +85°C)

3 NOTES:

1. INTERPRET DRAWING PER ASME Y14.5M-1994.

TERMINALS CONNECTED WHEN TOGGLE IS IN POSITIONS SHOWN.			
FUNCTION CODE			
	123 456	123 456	123 456
TT21PG-VRA-1	2 TO 1 5 TO 4	OFF	2 TO 3 5 TO 6
TT21NG-VRA-1	2 TO 1 5 TO 4	NONE	2 TO 3 5 TO 6
TT11EG-VRA-1	2 TO 1	OFF	2 TO 3
TT11DG-VRA-1	2 TO 1	NONE	2 TO 3

NOTE:
TERMINAL DESIGNATION NUMBERS ARE FOR REFERENCE ONLY AND DO NOT APPEAR ON SWITCHES.

3

CUSTOMER DRAWING			
SPECIFICATIONS ARE SUBJECT TO CHANGES WITHOUT NOTICE			
 THIRD ANGLE PROJECTION	UNLESS OTHERWISE SPECIFIED DIMENSIONS ARE IN INCHES DO NOT SCALE PRINT		ORIGINAL DATE OF DRAWING: 8-6-83
	FILE NAME: 401580.T	DIRECTORY: TINSWCH	DRAWN: E. RODRIQUEZ DATE: 8-2-83
TOLERANCES (EXCEPT AS NOTED) ANGULAR = ±1° DECIMAL .XX = ±.010 DECIMAL .XXX = ±.010 DECIMAL .XXXX = ±.010	MATERIAL: SEE SPECIFICATIONS	CHECKED: B. BUCKHEIT DATE: 8-8-83	APPROVED: RMM DATE: 8-9-83
FINISH: SEE SPECIFICATIONS	CODE IDENT. NO. 91506	DWG. SIZE C	

AUGAT D/N 40158

TYCO ELECTRONICS	
TITLE: CUSTOMER DRAWING	
TOGGLE SWITCH VRA SP, DP	
DWG. NO.	REV.
4-1437561-8	B

REV	B
REVISIONS	0G3C-0194-05 MZ 27MAR07